

MULTIFIX® 60

D02 Vertical Fuse Switch Disconnecter 63A, 400VAC, Triple Pole Switching

IEC FUSE SWITCH DISCONNECTORS

D0 FUSE COMBINATION UNITS



MULTIFIX® 60 is a system for energy distribution comprising a variety of modular combinable components. The energy distribution is carried out via copper bus bars in a 60 mm bus bar system up to 630 A, 400 V AC, 500 V AC, 690 V AC, 45–62 Hz. Short circuit withstand tested to VDE 0660 part 500 and IEC 60439-1.

MULTIFIX® 60 is suitable for triple pole, quadruple pole and quintuple pole applications.

The components of the MULTIFIX® 60 system are mounted directly without drilling. This method offers high flexibility for extension and alteration of existing installations -> reduced installation time.

MULTIFIX® 60 D02-vertical fuse switch disconnecter, triple pole switching is designed for direct installation on to 60 mm bus bar systems, for bus bars width 20–30 mm and thickness 5–10 mm. The standard design is for bus bars with a thickness of 5 mm. For installation of bus bars with thickness 10 mm the appropriate distance pieces have to be broken away. Re-installation on to bus bars with thickness 5 mm is possible by using level adjustment HA 5 catalogue no. 1.001.039.

The component is installed easily by snapping directly on to the bus bar and interlocking automatically.

TECHNICAL DATA OVERVIEW

Voltage AC	400 VAC
Amper (A)	63 A
Size per Standard	D02
SCCR	Ue = AC 400 V; Ie = 63 A 50 kA
Switchability	triple pole switching
Product Size	D02
Number of Poles	3

FEATURES & BENEFITS

- For bus bars with width 12 - 30mm and thickness 5 - 10mm
- For direct installation without drilling on to 60mm bus bar systems
- Ease of installation - snap in mode and automatic interlocking
- Use of standard D02-screw caps
- For D01- and D02-fuse links and D0-cartridge ring adapter inserts in accordance with IEC/EN 60269-3, VDE 0636-3

APPLICATIONS

- Panel board builders
- Control system engineering
- Industrial plants
- Heating & air conditioning systems

STANDARDS

- IEC/EN 60 947-3
For D01- and D02-fuse links and D0-push-in gauge piece in accordance with IEC/EN 60 269-3, VDE 0636-3



MULTIFIX® 60

D02 Vertical Fuse Switch Disconnecter 63A, 400VAC, Triple Pole Switching

PRODUCT RANGE



1.001.040

D02-vertical fuse switch disconnecter 63 A, 400 V AC triple pole

Catalog number	Item number	Poles	Design	Package	Weight
1.001.040	V1026600	3	triple pole switching	1 piece	0.26 kg



1.001.039

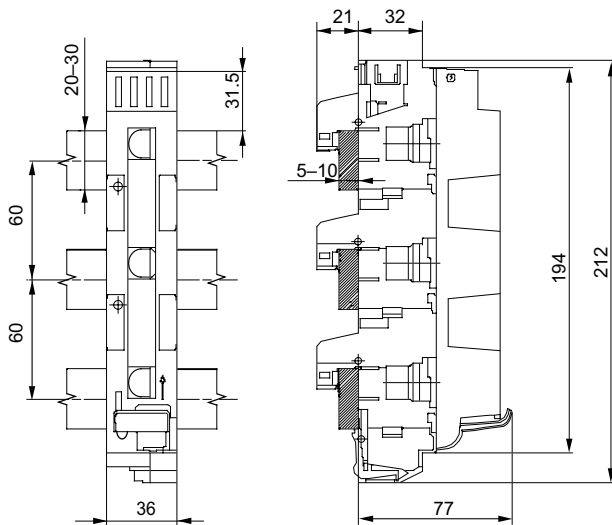
Level adjustment to re-equip switch for installation on to bus bars with thickness of 5mm (after having been installed on to bus bars with a thickness of 10mm)

Catalog number	Item number	Design	Package	Weight
1.001.039	T1026599	distance piece height 5 mm for re-installation on to bus bars with a thickness of 5 mm after dismantling of installation on to 10 mm bus bars	100	2 g

DIMENSIONS

D02-vertical fuse switch disconnecter triple pole switching for direct installation on to 60mm bus bar system

(M02006)



Dimensions in mm

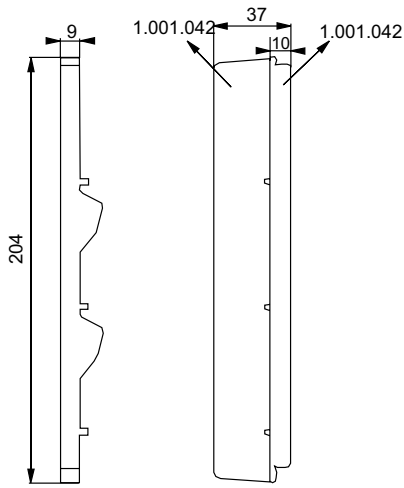
MERSEN reserves the right to change, update or correct, without notice, any information contained in this datasheet.

MULTIFIX® 60

D02 Vertical Fuse Switch Disconnecter 63A, 400VAC, Triple Pole Switching

DIMENSIONS

Distance module for enhanced air circulation for high density installations (M02012)



Dimensions in mm